

# Remote Mounting Base



## FM200, FM400 and FM600

## Technical Data

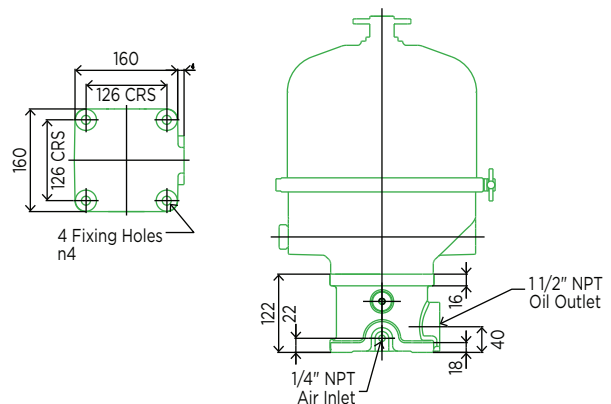


en 0817 © MANN+HUMMEL

A common remote mounting base is available for use with FM200, FM400 and FM600 centrifuges.

Many engine installations are compact with little space in which to mount a centrifuge directly on to an engine. To overcome this problem and the normal centrifuge requirements for a gravity oil return to the engine, FM200, FM400 and FM600 centrifuges can be supplied with a remote mounting base, which uses compressed air to maintain a positive pressure inside the centrifuge, eliminating the need for gravitational oil return. This device contains a float operated valve, which admits compressed air to forcibly return oil to the engine even through smaller than normal pipes. The float action controls the oil level within the remote mounting base and does not allow air to enter the oil return to the engine. The remote mounting base requires an external compressed air supply at a pressure between 0.5 and 3 bar. Since significant quantities do not flow out of the centrifuge into the engine, air consumption is near zero. If the system pressure exceeds 3 bar, a pressure regulator should be fitted.

### DIMENSIONS (mm)



| Model                                 | Remote Mounting Base  |
|---------------------------------------|---|
| Part number                           | 68 991 11 101   |
| Recommended oil return hose diameters | FM200: Ø 25 mm internal,<br>FM400 and FM600: Ø 37 mm internal |
| Attached directly to                  | FM200, FM400 and FM600  |

Note: Remote mounting base will not operate if air pressure drops below 0.5 bar.

Authorised Distributor



t: +44 1264 860186

e: spares@simplexturbulo.com

Leadership in Filtration

STC is a member of

